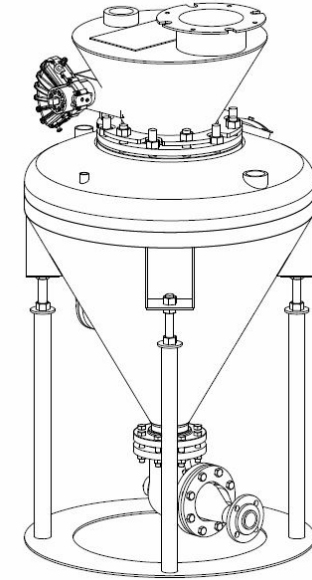
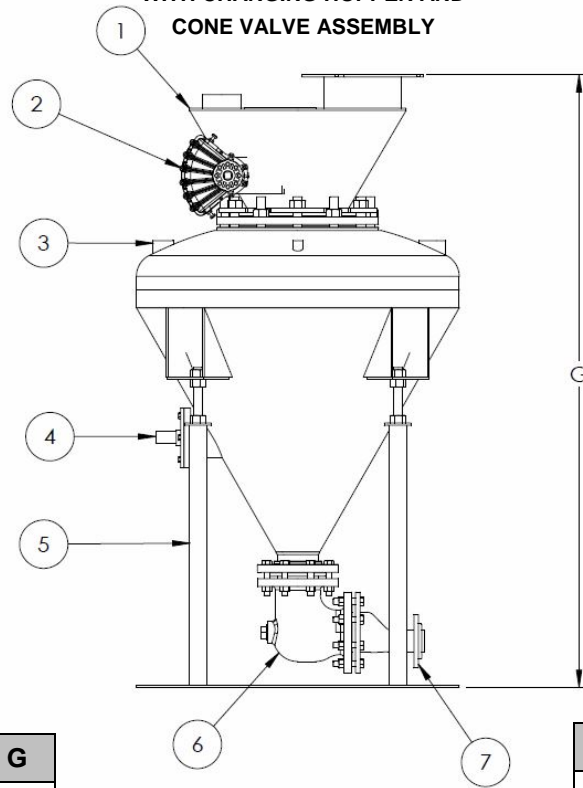
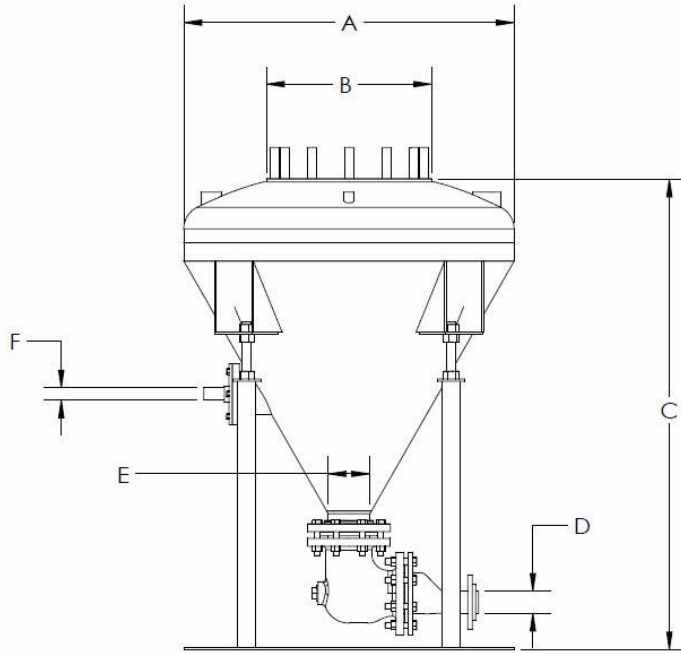


**PRESSURE VESSEL
WITH CHARGING HOPPER AND
CONE VALVE ASSEMBLY**



MODEL	A	B	C	D	E	F	G
1CF18-6CB	18"	6"	32"	-	4"	1/2"	48"
2CF24-6CB	24"	6"	39"	P	4"	1/2"	55"
5CF24-6CB	24"	6"	49"	I	4"	1/2"	65"
7CF36-10CB	36"	10"	53"	P	4"	1"	69"
10CF36-10CB	36"	10"	57"	E	4"	1"	73"
15CF42-10CB	42"	10"	67"	-	6"	1"	83"
25CF42-10CB	42"	10"	80"	S	6"	1"	96"
30CF48-14CB	48"	14"	81"	I	6"	1"	104"
50CF48-14CB	48"	14"	101"	Z	6"	1"	124"
50CF72-14CB	72"	14"	96"	E	8"	1"	119"
250CF72-14CB	72"	14"	180"	-	8"	1"	202"

ITEM	DESCRIPTION
1	CHARGING HOPPER
2	CONE VALVE ASSEMBLY
3	COUPLING
4	MANIFOLD INLET
5	ADJUSTABLE LEG
6	POCKET ELBOW
7	OUTLET REDUCER

**Proprietary
And Confidential**

The information contained within this drawing is the sole property of JDB Dense Flow. Any reproduction in part or as a whole without the written permission of JDB Dense Flow is prohibited

Pressure Vessel

Data Sheet

PVCB 1:01

