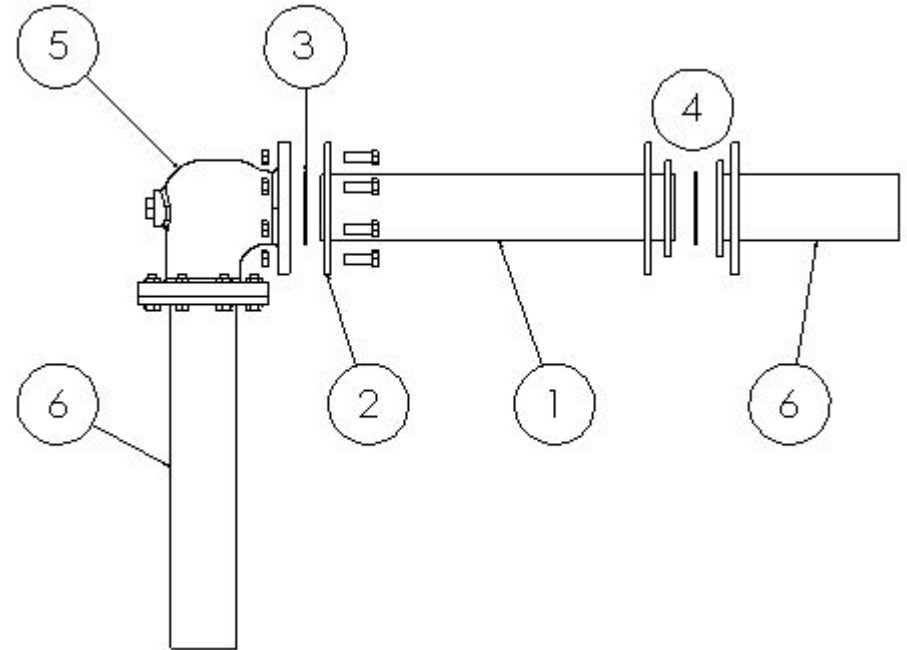


Nominal Pipe Size	SCH.	A	B	PART #
2"	80	24"	5/16"	DF66101X01
2.5"	80	24"	5/16"	DF66102X01
3"	80	24"	5/16"	DF66103X01
4"	80	24"	5/16"	DF66104X01



ITEM	DESCRIPTION
1	600 BHN DENSEALLOY PIPE STUB
2	FLANGE 150# B.C.
3	OUTER PIPE SEAT GASKET

ITEM	OPTIONAL ITEMS	DATA SHEET
4	ALIGNMENT COUPLING ASSEMBLY	PCAC 4:01
5	DENSE FLOW POCKET ELBOW	PCEL 4:10
6	NOMINAL PIPE	N/A

<b>Proprietary And Confidential</b> The information contained within this drawing is the sole property of JDB Dense Flow. Any reproduction in part or as a whole without the written permission of JDB Dense Flow is prohibited.	<b>DENSEALLOY PIPE STUB</b>
	Data Sheet <b>PCEL 4:13</b>