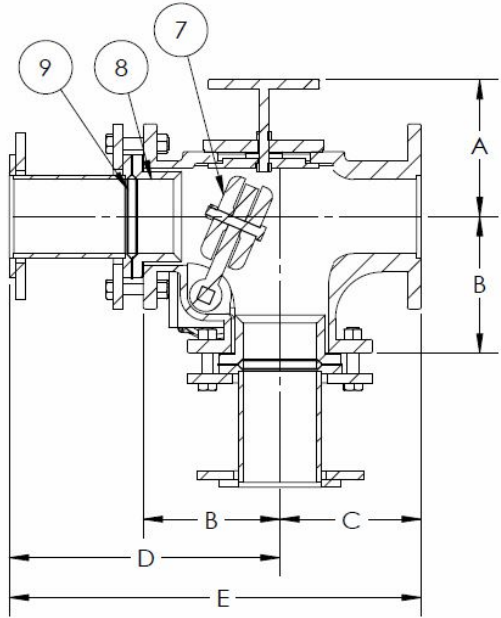
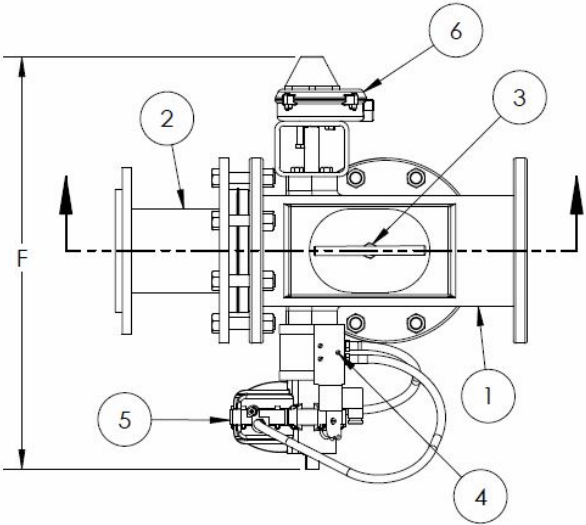
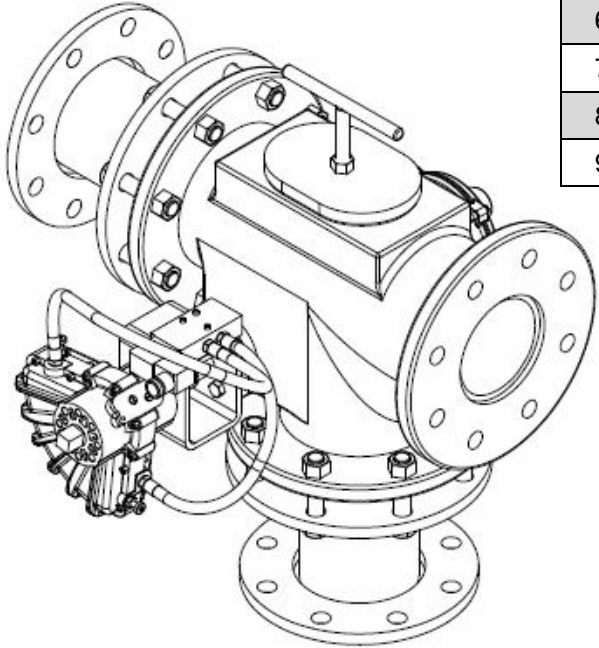


ITEM	DESCRIPTION
1	CAST DUCTILE IRON BODY
2	FLANGED OUTLET SPOOL
3	INSPECTION PLATE
4	SOLENOID VALVE
5	VEIN TYPE AIR ACTUATOR
6	LIMIT SWITCH
7	RUBBER VALVE SEAL
8	HARDENED SEAT BUSHING
9	ALIGNMENT GASKET



Nominal Pipe Size	A	B	C	D	E	F	PART #
1.5"	7.25"	6.0625"	6.25	13.125"	19.375"	22.50"	DF79500X99
2"	7.25"	6.0625"	6.25"	13.125"	19.375"	22.50"	DF79501X99
2.5"	7.25"	6.0625"	6.25"	13.125"	19.375"	22.50"	DF79502X99
3"	7.75"	6.75"	6.75"	13.8125"	20.5625"	22.50"	DF79503X99
4"	8.25"	7.375"	7.625"	14.4375"	22.0625"	24.50	DF79504X99
5"	7.875"	8.375"	8.25"	15.75"	24.00"	24.50"	DF79505X99
6"	10.00"	11.00"	8.00"	18.50"	26.50"	24.50"	DF79506X99

Proprietary And Confidential The information contained within this drawing is the sole property of JDB Dense Flow. Any reproduction in part or as a whole without the written permission of JDB Dense Flow is prohibited.	DIVERTER VALVE
	Data Sheet DCBV 6:11